

Installation instructions EVOLine® Port

PWS

Work surface installation

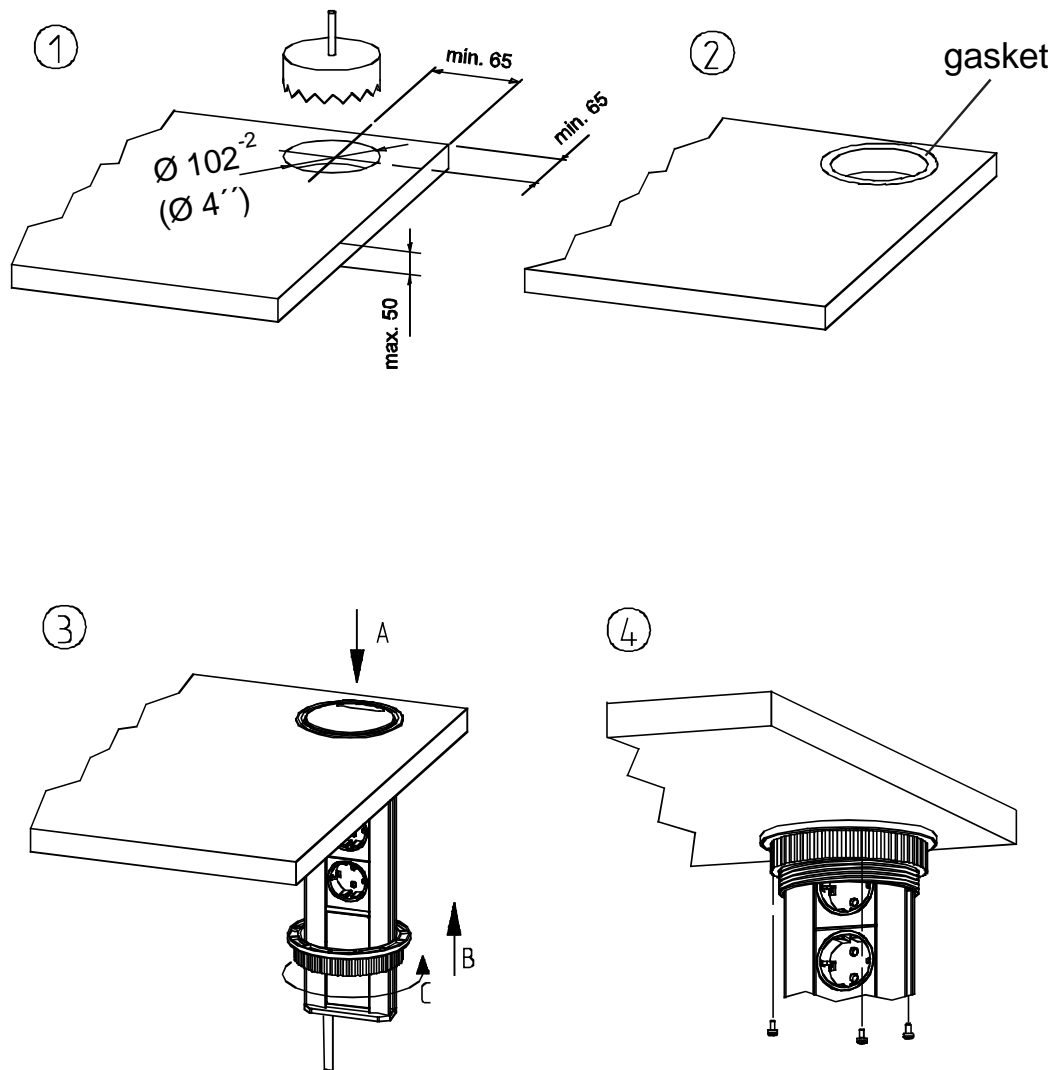
Important

It is strongly recommended that this product is connected by a qualified electrician.
Maximum load is 13 A.

Either connect using the 13 A fused plug supplied, or wire into a 13 A connection unit.

Do not exceed maximum load.

Do not replace the manufacturer's supply cable.



Installation instructions EVOLine® Port

PWS

Overhead installation

Important, please read!

Please ensure that the structure (e.g. shelf, cabinet etc.) is securely fixed to the wall when performing an overhead installation. Without secure fixing there is a danger of pulling the structure away from the wall while operating your EVOLine® Port.

Important

It is strongly recommended that this product is connected by a qualified electrician. Maximum load is 13 A.

Either connect using the 13 A fused plug supplied, or wire into a 13 A connection unit.

Do not exceed maximum load.

Do not replace the manufacturer's supply cable.

